

› JEL CONTALI HEPA FİLTRELER GEL GASKET HEPA FILTERS

E10 / E11 / E12 / H13 / H14



Özellikler :

- Yüksek Verimlilik
- Glass Fiber
- Hot Melt Teknolojisi
- Kesintisiz Conta
- Yüksek Hava Debisinde Dayanım

Uygulamalar :

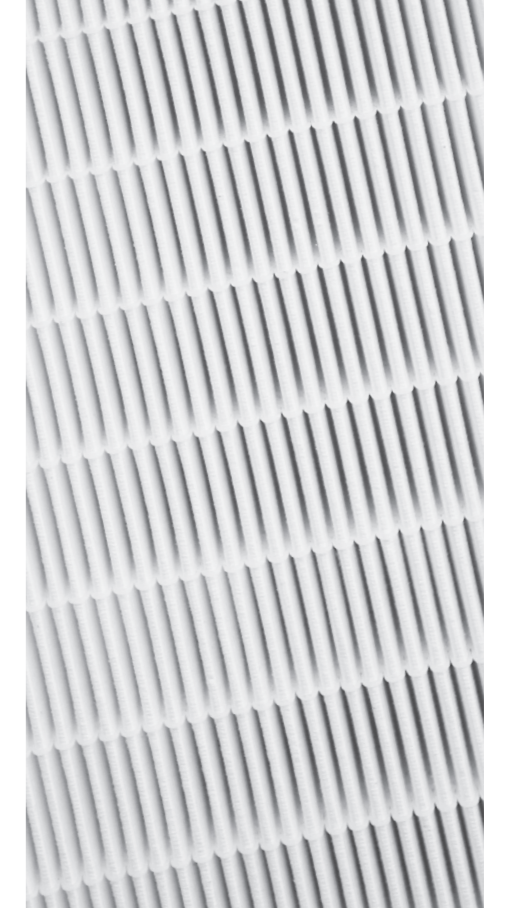
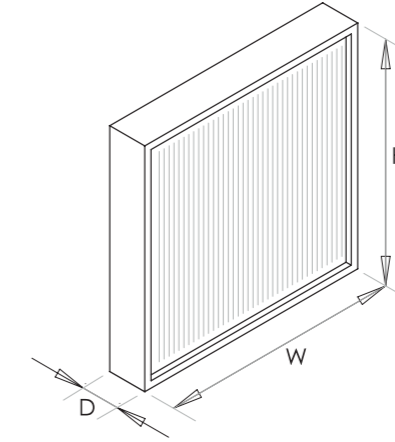
- Hastaneler
- İlaç Üretim Alanları
- Temiz Odalar
- Mikrobiyoloji Laboratuvarları
- Gıda Endüstrisi
- Yarı İletken Üretim Alanları
- Nükleer Enerji Santralleri

Specifications :

- Submicron Micro-Glass Fibres
- Hot Melt Technology
- One-Piece Gasket
- High Mechanical Stability

Applications :

- Medicine
- Pharmaceutical Industry
- Clean Rooms
- Microbiology
- Food, Bottled Water and Juice Industry
- Nuclear Power Techniques



Product Code	Filter Class (EN 1822)	Dimensions			Pleat (mm) Height	Filtration Area (m ²)	Air Volume (m ³ /h)	Initial Pressure Drop (Pa)
		W (mm)	H (mm)	D (mm)				
HG-H13-305x305x80-G-F1	H13	305	305	80	42	2,3	150	100
HG-H13-610x610x80-G-F1	H13	610	610	80	42	9,0	600	100
HG-H14-305x305x80-G-F1	H14	305	305	80	42	2,4	150	125
HG-H14-610x610x80-G-F1	H14	610	610	80	42	9,4	600	125

HG - H13 - 610x610x80 - G - F1

Filter Type:
HG: Gel Gasket Hepa

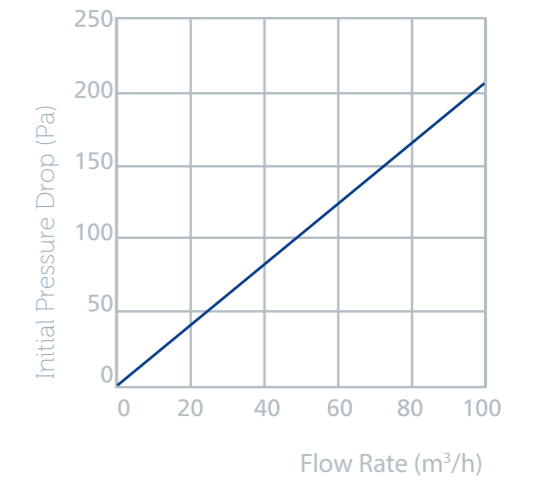
Filter Class (EN1822):
E10 - E11 - E12 - H13 - H14

Width x Height x Depth
(mm) (mm) (mm)

0: Without
Faceguard: 1: One Side
2: Two Side

Gasket Type:
G: Gel Gasket

Filter Values
(Acc. to EN 1822)



	E11	H13
Av. Arrestance (%)	>99	>99
Av. Efficiency	>95,0	>99,95
Final Pressure Drop (Pa)	750	750
Operating Temp. (°C)	80	80
Filter Depth	46/54/78	292
+ Gasket	+8	+8