

› TERMİNAL HOOD HEPA FİLTRELER TERMINAL HOOD HEPA FILTERS

E10 / E11 / E12 / H13 / H14



Özellikler :

- Yüksek Verimlilik
- Glass Fiber
- Hot Melt Teknolojisi
- Kesintisiz Conta
- Yüksek Hava Debisinde Dayanım

Uygulamalar :

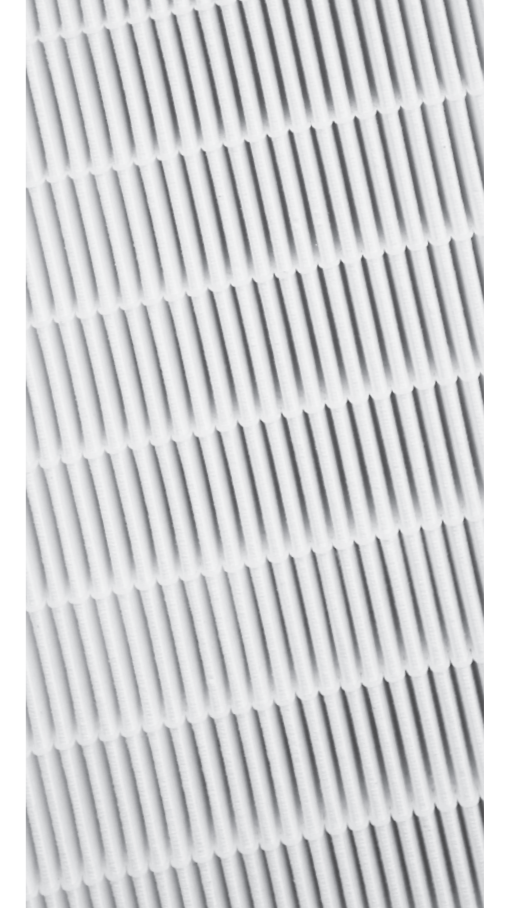
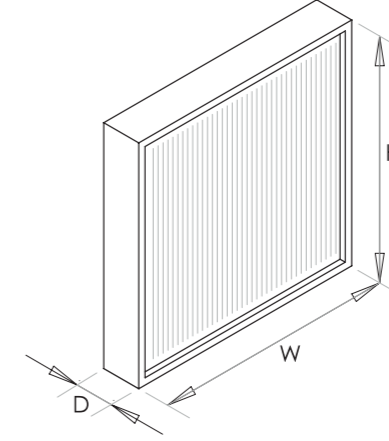
- Hastaneler
- İlaç Üretim Alanları
- Temiz Odalar
- Mikrobiyoloji Laboratuvarları
- Gıda Endüstrisi
- Yarı İletken Üretim Alanları
- Nükleer Enerji Santralleri

Specifications :

- Submicron Micro-Glass Fibres
- Hot Melt Technology
- One-Piece Gasket
- High Mechanical Stability

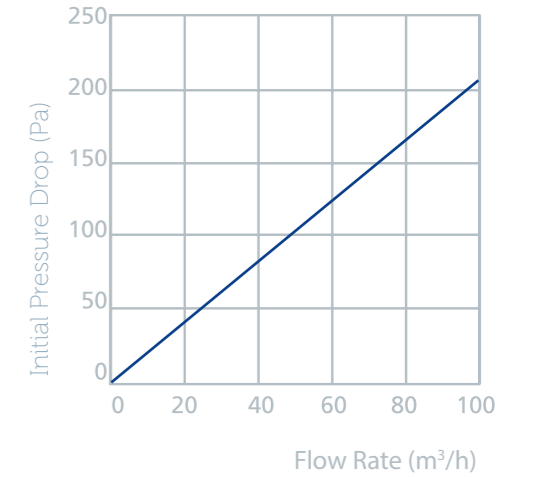
Applications :

- Medicine
- Pharmaceutical Industry
- Clean Rooms
- Microbiology
- Food, Bottled Water and Juice Industry
- Nuclear Power Techniques



Product Code	Filter Class (EN 1822)	Dimensions			Filtration Area (m ²)	Air Volume (m ³ /h)	Initial Pressure Drop (Pa)
		W (mm)	H (mm)	D (mm)			
HTH-H13-AL-305x610x125-PH50-A1-Ø160	H13	305	610	125	5,5	300	90
HTH-H13-AL-610x610x125-PH50-A1-Ø160	H13	610	610	125	11,0	600	90
HTH-H14-AL-305x610x125-PH50-A1-Ø160	H14	305	610	125	5,5	300	115
HTH-H14-AL-610x610x125-PH50-A1-Ø160	H14	610	610	125	11,0	600	115

Filter Values
(Acc. to EN 1822)



HTH - H14 - AL - 610x610x125 - PH50 - A1 - Ø160

Filter Type: Hepa
HTH: Terminal Hood

Filter Class (EN1822):
E10 - E11 - E12 - H13 - H14

Frame Type:
AL: Aluminium

Spigot
Diameter :
160mm
200mm 250mm

Adjustable Mechanism:
A1: Yes A2: No

Width x Height x Depth
(mm) (mm) (mm)

Pleat Height: 50mm 100mm

	E11	H13
Av. Arrestance (%)	>99	>99
Av. Efficiency	>95,0	>99,95
Final Pressure Drop (Pa)	750	750
Operating Temp. (°C)	80	80
Filter Depth	46/54/78	292
+ Gasket	+8	+8