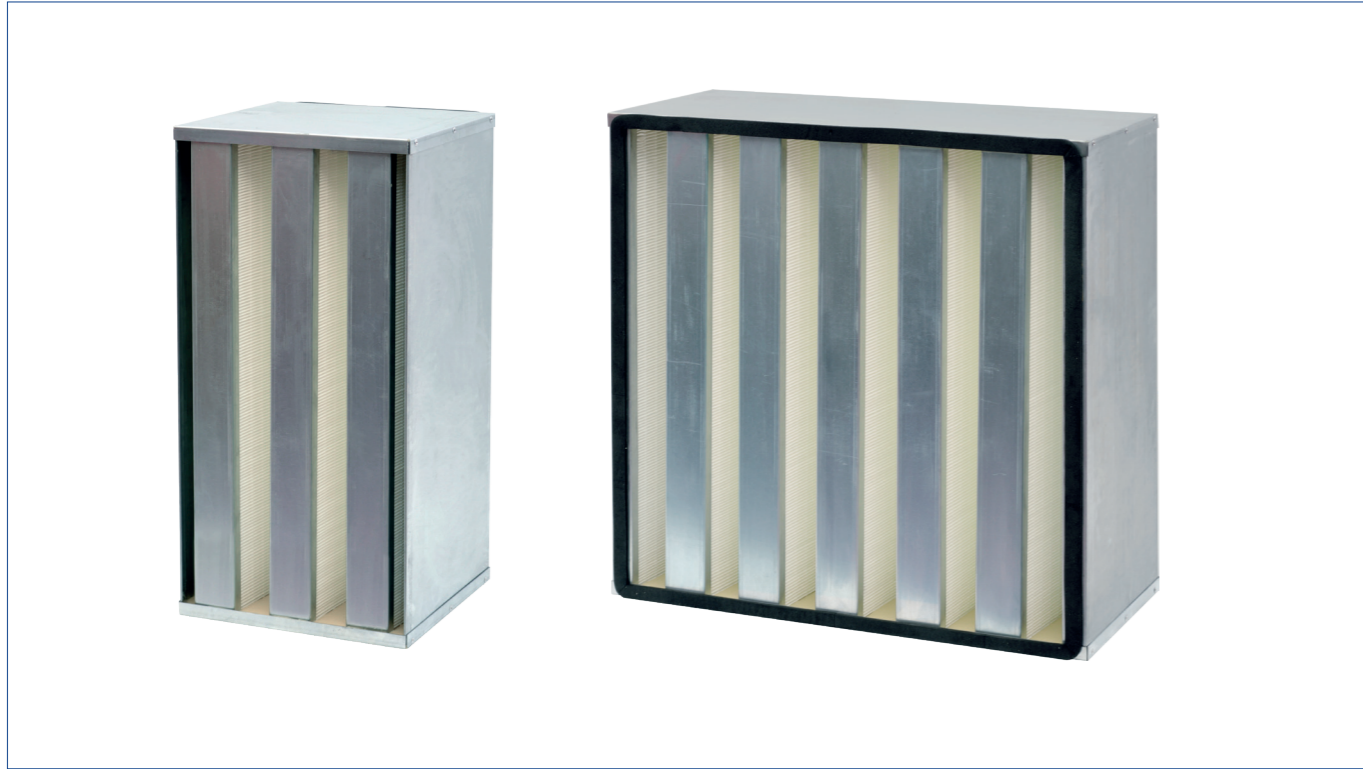


## › V-MODÜL HEPA FİLTRELER V-MODUL HEPA FILTERS

E10 / E11 / E12 / H13 / H14



### Özellikler :

- Yüksek Verimlilik
- Glass Fiber
- Hot Melt Teknolojisi
- Kesintisiz Conta
- Yüksek Hava Debisinde Dayanım

### Uygulamalar :

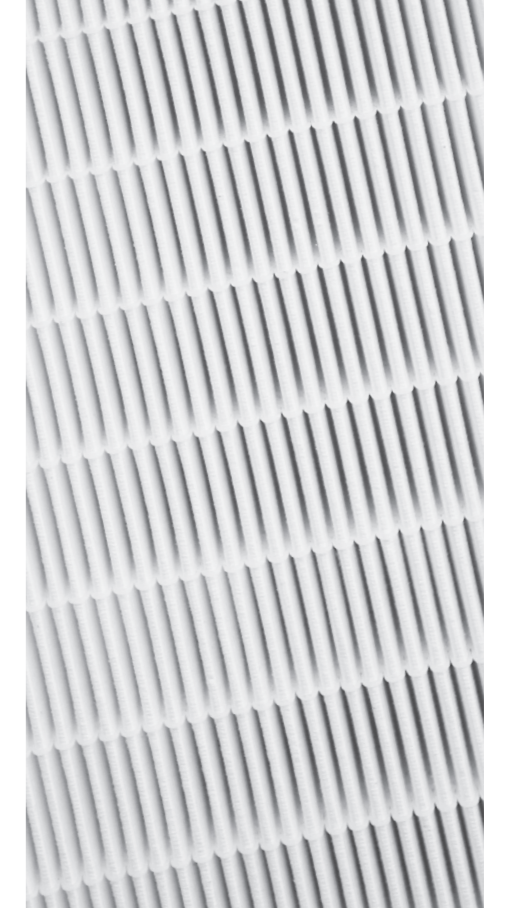
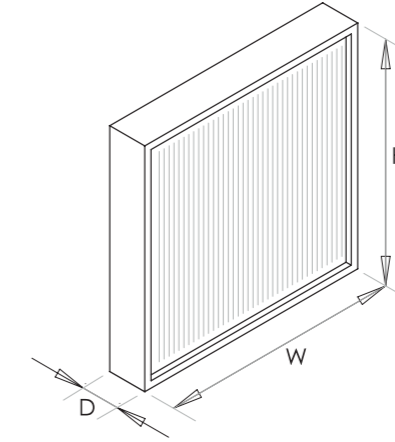
- Hastaneler
- İlaç Üretim Alanları
- Temiz Odalar
- Mikrobiyoloji Laboratuvarları
- Gıda Endüstrisi
- Yarı İletken Üretim Alanları
- Nükleer Enerji Santralleri

### Specifications :

- Submicron Micro-Glass Fibres
- Hot Melt Technology
- One-Piece Gasket
- High Mechanical Stability

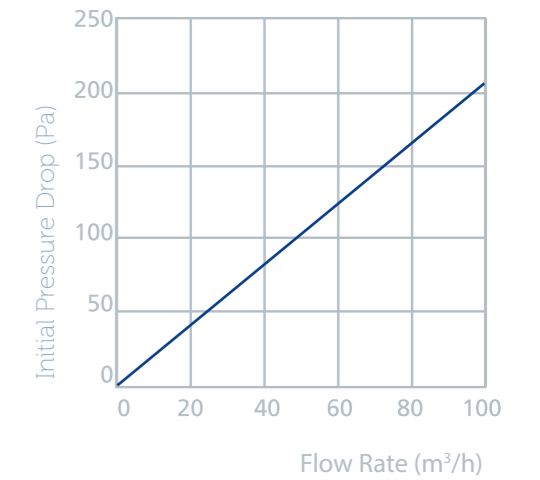
### Applications :

- Medicine
- Pharmaceutical Industry
- Clean Rooms
- Microbiology
- Food, Bottled Water and Juice Industry
- Nuclear Power Techniques



Product Code	Filter Class (EN 1822)	Dimensions			Filtration Area (m <sup>2</sup> )	Air Volume (m <sup>3</sup> /h)	Initial Pressure Drop (Pa)
		W (mm)	H (mm)	D (mm)			
HVM-H13-G-305x610x292-PU1	H13	305	610	292	13,0	1500	250
HVM-H13-G-610x610x292-PU1	H13	610	610	292	26,0	3000	250
HVM-H14-G-305x610x292-PU1	H14	305	610	292	15,0	1500	250
HVM-H14-G-610x610x292-PU1	H14	610	610	292	30,0	3000	250

Filter Values  
(Acc. to EN 1822)



**HVM - H13 - 610x610x292 - G - PU**

Filter Type:  
HVM: V-Modul Hepa

Filter Class ( EN1822 ):  
E10 - E11 - E12 - H13 - H14

Width x Height x Depth  
( mm ) ( mm ) ( mm )

G: Galvanised A: Alu. S: S. Steel

Gasket Type:  
PU: Polyurethane EP: EPDM

Frame Type:

	E11	H13
Av. Arrestance (%)	>99	>99
Av. Efficiency	>95,0	>99,95
Final Pressure Drop (Pa)	750	750
Operating Temp. (°C)	80	80
Filter Depth	46/54/78	292
+ Gasket	+8	+8